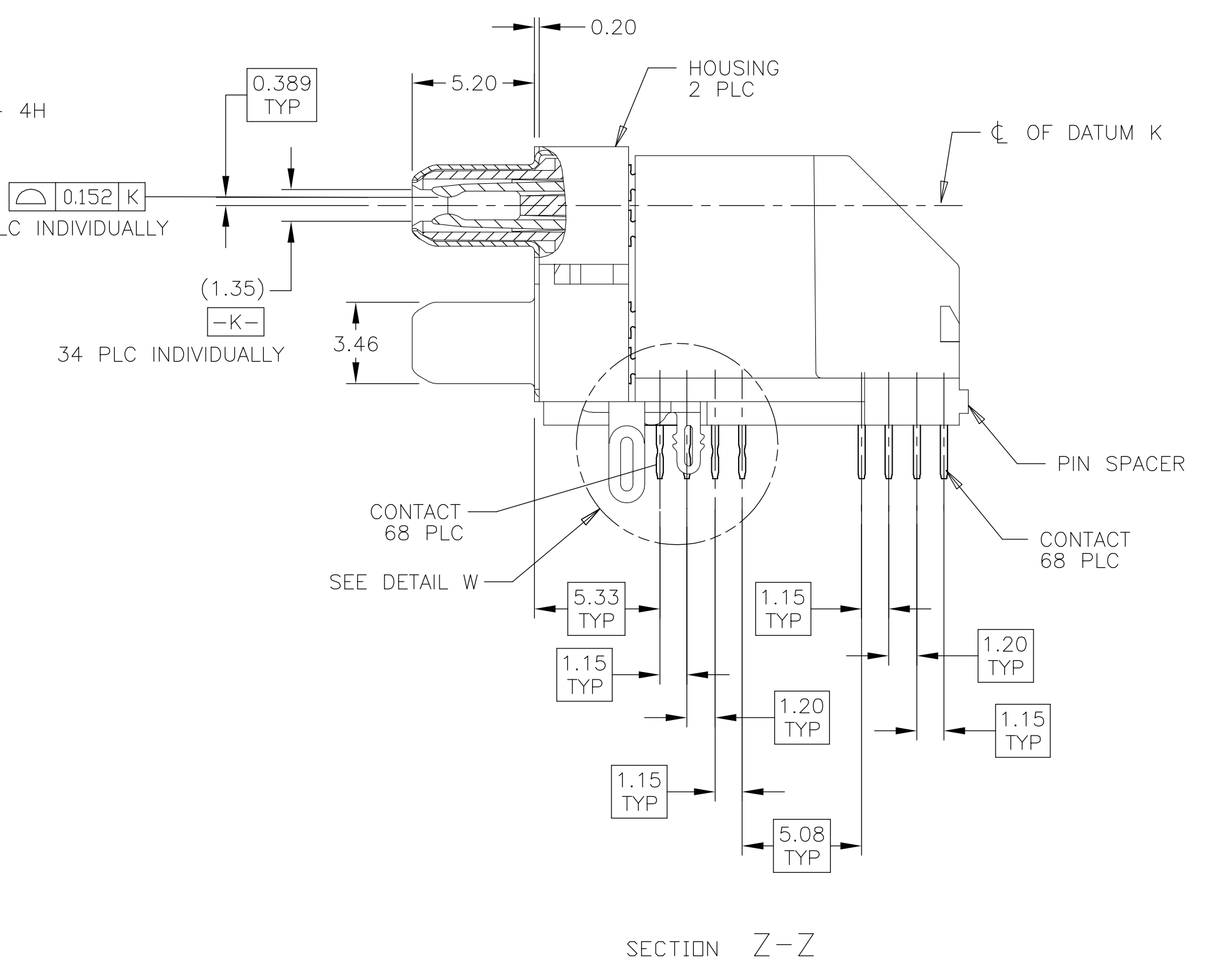
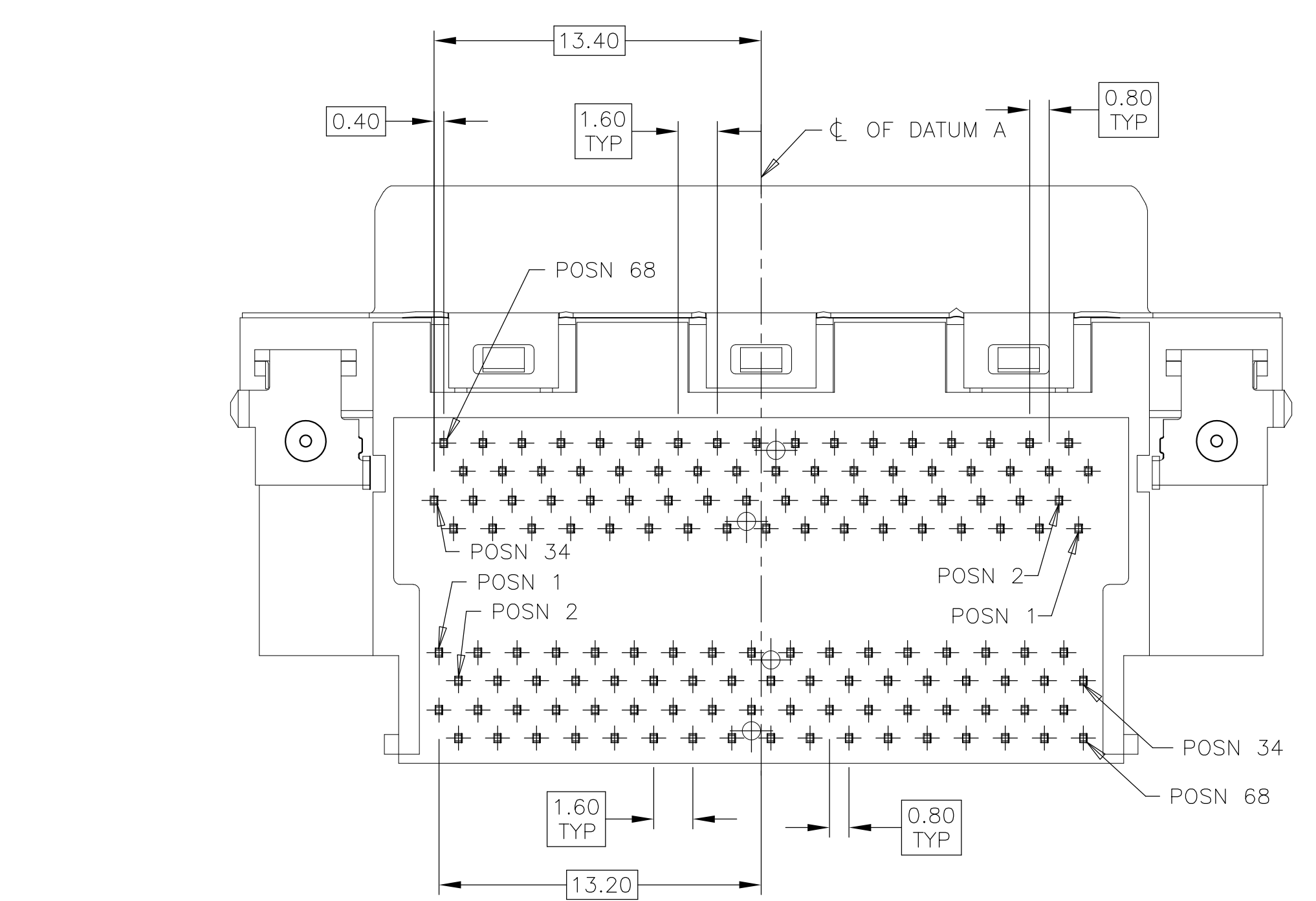
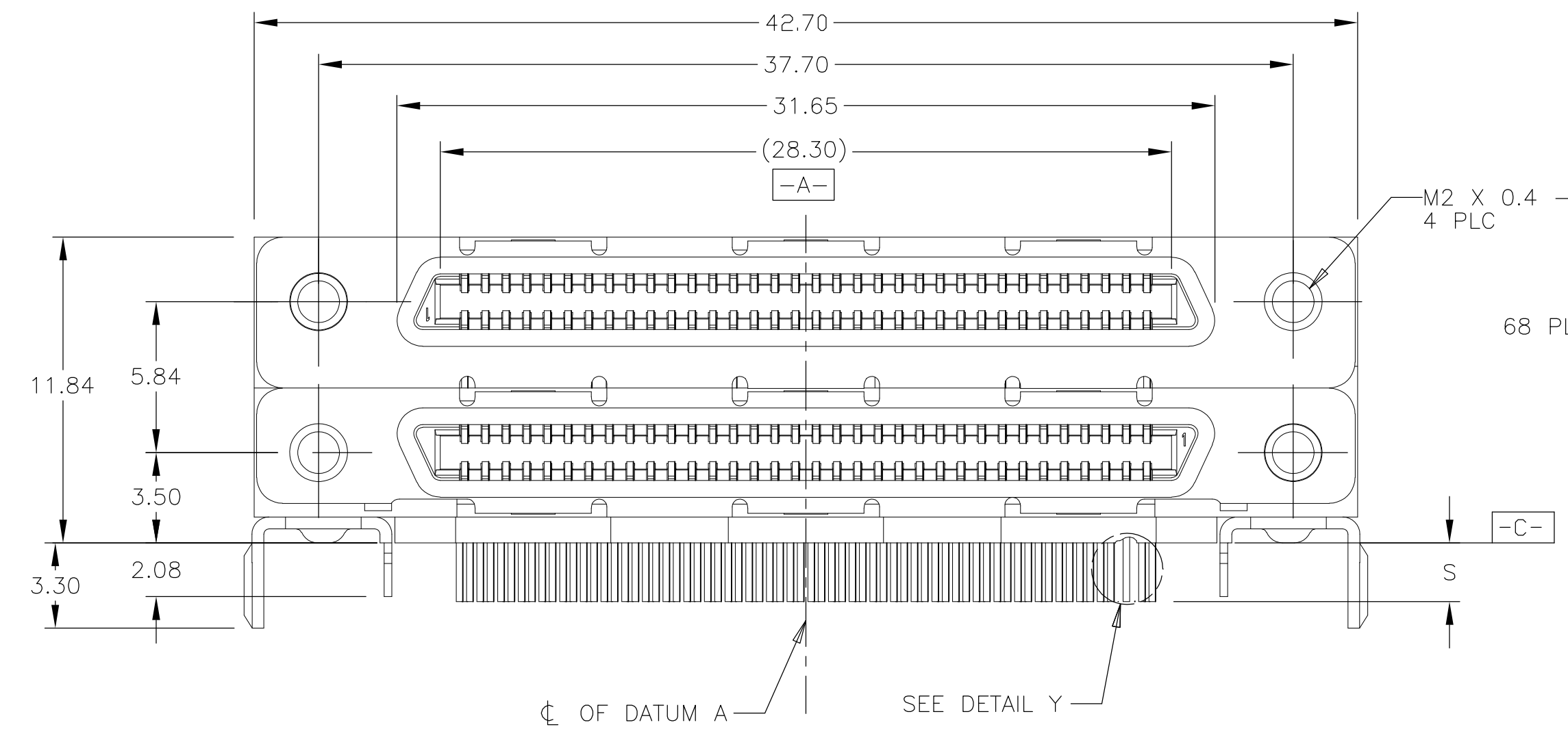
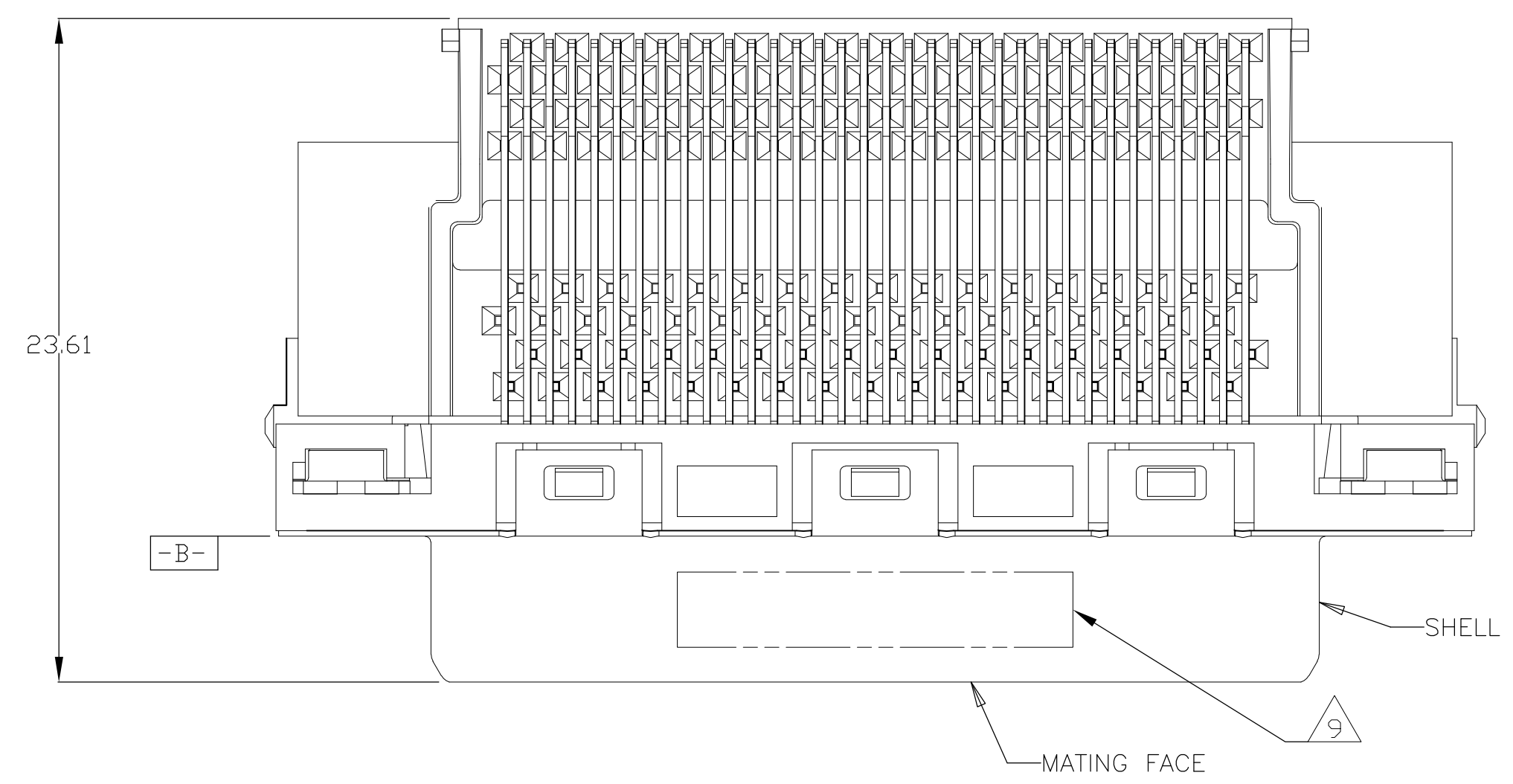
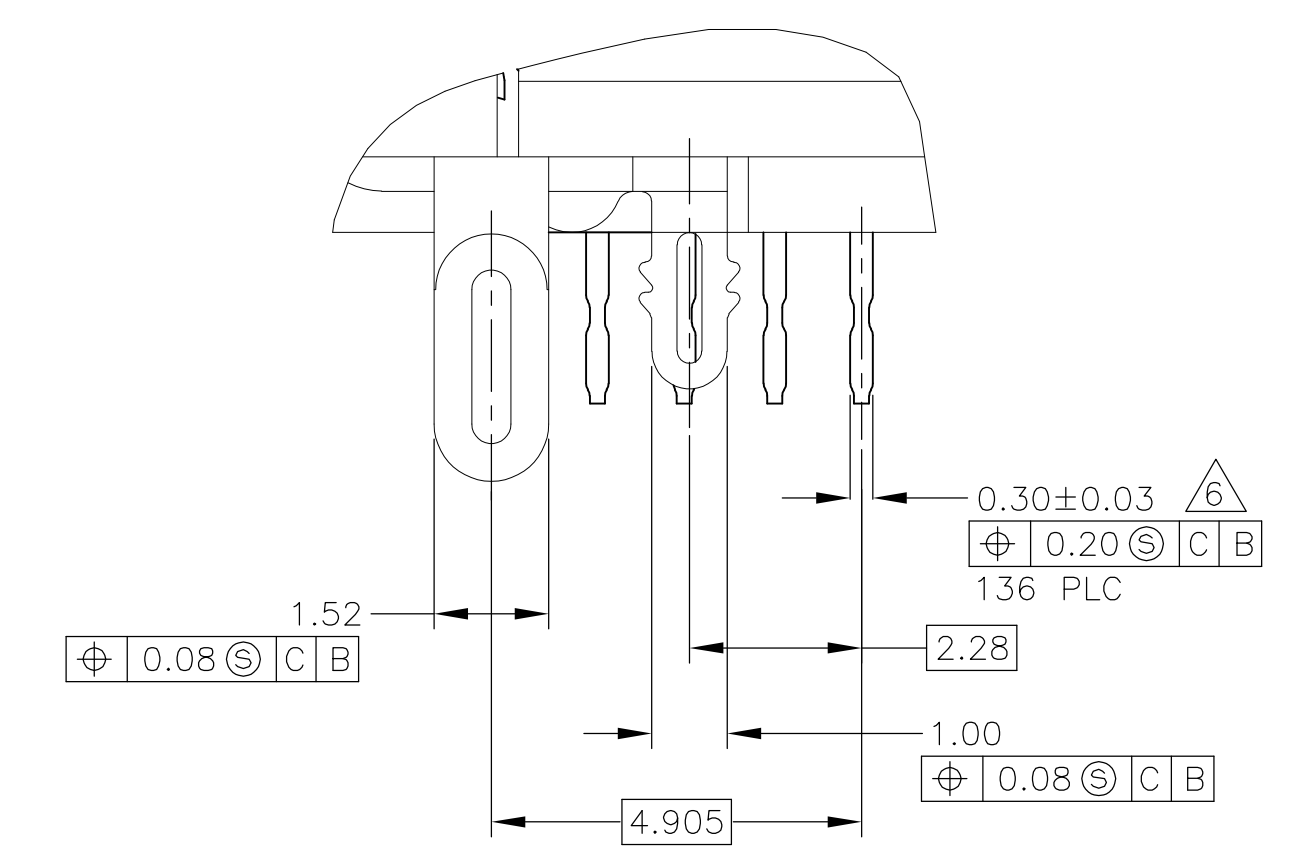


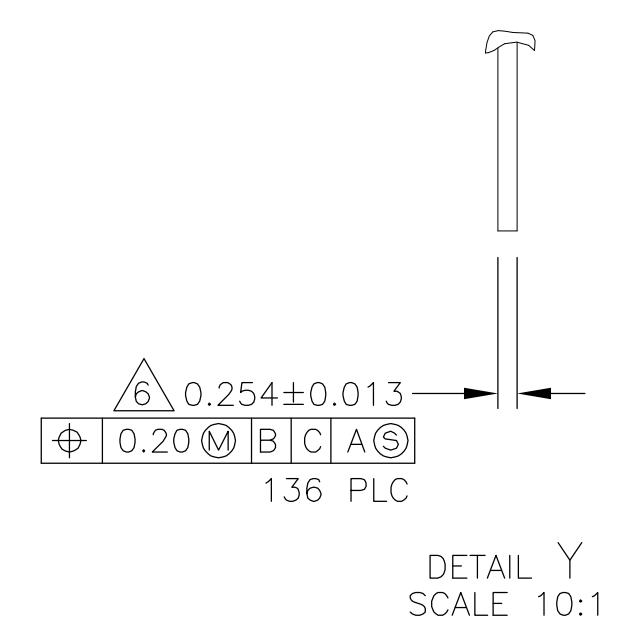
LOC		DIST		REVISIONS			
GP	00	IF	LTR	DESCRIPTION	DATE	DRN	APVO
C				REVISED PER ECO-09-001695	8FEB2009	ZMR	EDB



- ⚠ MOLDED PARTS: THERMOPLASTIC, BLACK, UL 94V-0 RATED.
SHELL: CARBON STEEL.
CONTACTS: PHOSPHOR BRONZE.
BRACKETS: STEEL.
- ⚠ SHELL: 5.08μm MIN NICKEL OVER 2.54μm MIN COPPER.
CONTACTS: 0.76μm MIN GOLD ON MATING END, 3.75μm MIN TIN ON SOLDER TAILS, BOTH OVER 1.27μm MIN NICKEL OVER ENTIRE CONTACT.
BRACKETS: TIN PLATED.
- 3. CONTACTS DESIGNED FOR USE ON 1.60±0.15 THICK PC BOARD WITH PLATED THRU MOUNTING HOLES.
- 4. RECEPTACLE ASSEMBLY DESIGNED FOR USE WITH 1.12±0.08 THICK PANEL.
- ⚠ DATUMS AND DIMENSIONS ESTABLISHED BY CUSTOMER.
- ⚠ POSITION TOLERANCE APPLIES AT CONTACT TIP ONLY.
- ⚠ OFFSET DIMENSION APPLIES TO LOWER FOOTPRINT ONLY.
- ⚠ CONTACTS DESIGNED FOR USE ON 2.35±0.15 THICK PC BOARD WITH PLATED THRU MOUNTING HOLES.
- ⚠ DATE CODE MARKED IN APPROXIMATE AREA SHOWN.



DETAIL W
SCALE 10:1

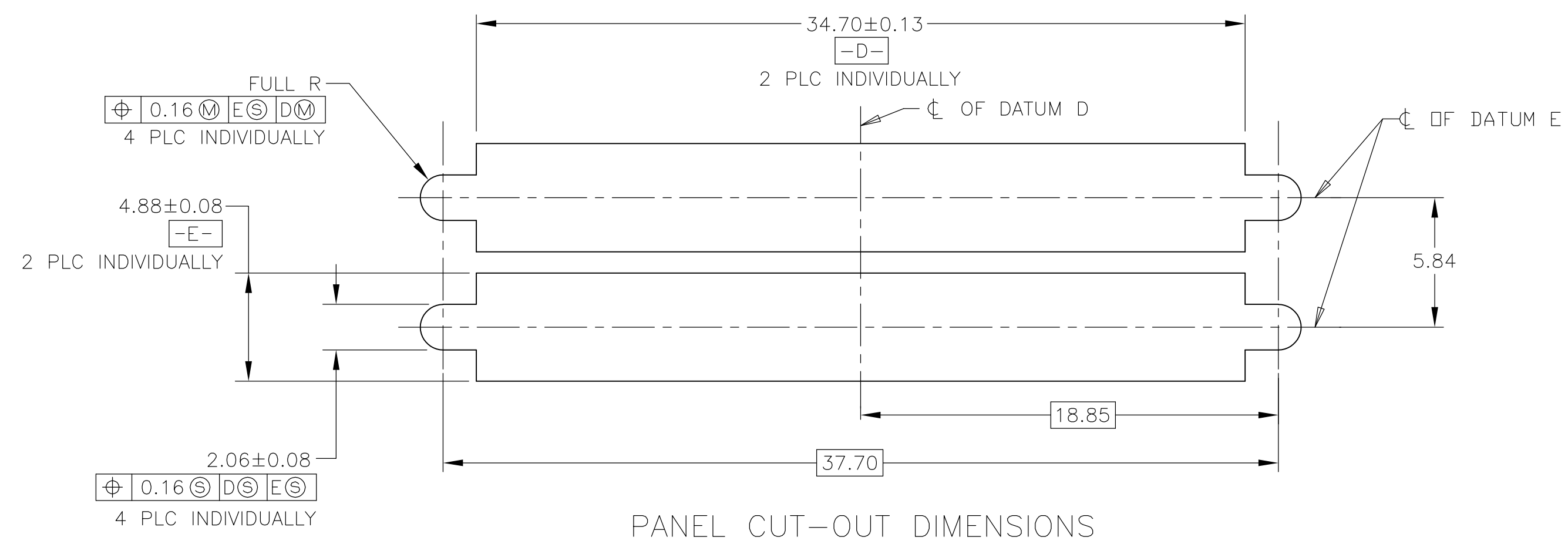
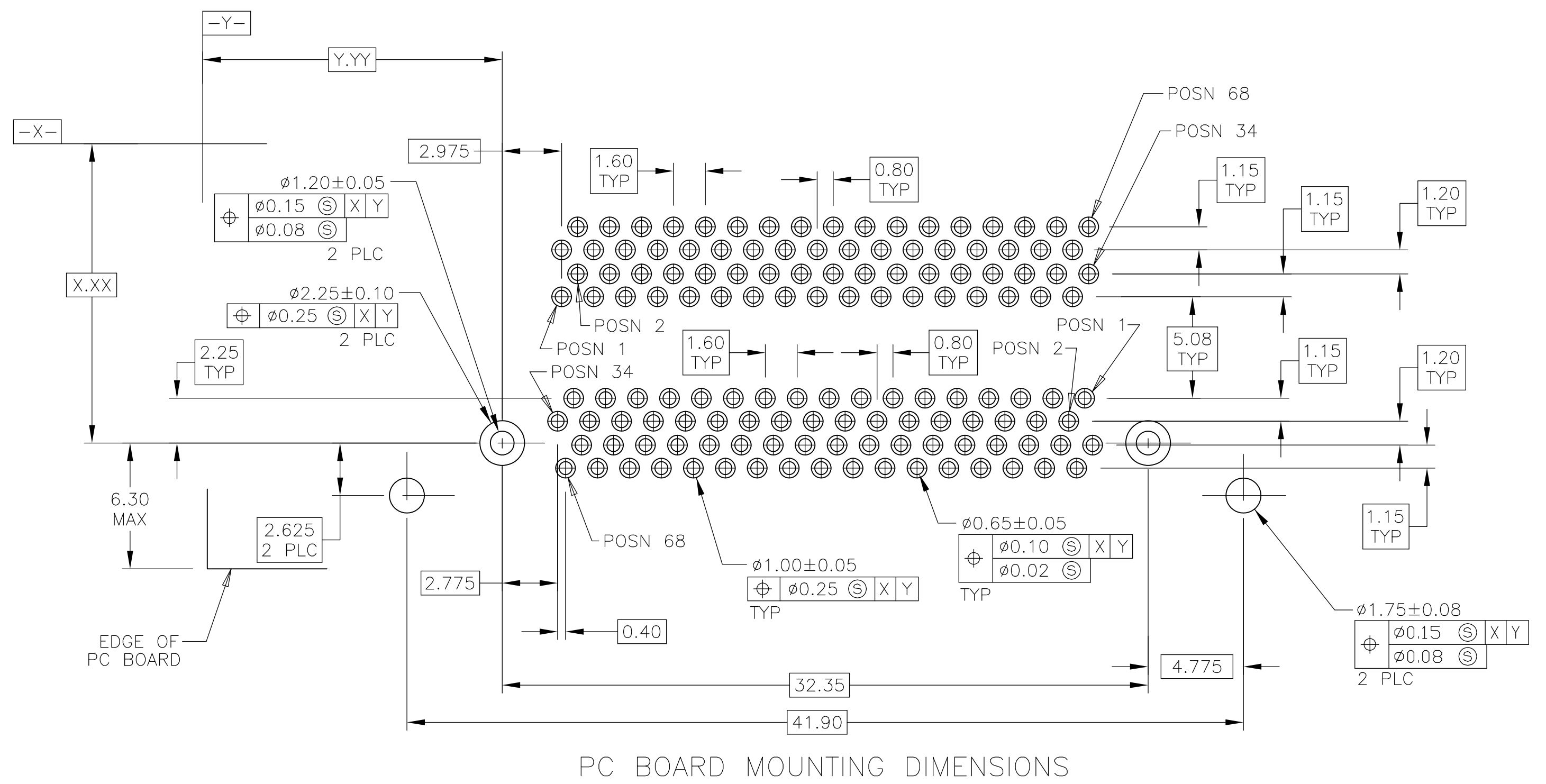


DETAIL Y
SCALE 10:1

8	3.55	5787962-2
3	2.27	5787962-1
REMARKS	S	PART NUMBER

THIS DRAWING IS A CONTROLLED DOCUMENT.		DWN J.GERACE 24JAN05	Tyco Electronics Corporation Harrisburg, PA 17105-3608	
DIMENSIONS: mm		CHK S.SHUEY 24JAN05	NAME M.WALMSLEY 24JAN05	
TOLERANCES UNLESS OTHERWISE SPECIFIED:		PRODUCT SPEC 108-1471-1		
0 PLC ± -		APPLICATION SPEC 114-6057		
1 PLC ± -		SIZE A1		
2 PLC ± 0.13		CAGE CODE 00779		
3 PLC ± -		DRAWING NO. 5787962		
4 PLC ± -		RESTRICTED TO		
ANGLES ± 1°		CUSTOMER DRAWING		
FINISH		SCALE 5:1 SHEET 1 OF 2 REV C		

LOC		DIST		REVISONS			
IF	LR	DESCRIPTION	DATE	DWN	APVD		
GP	00	SEE SHEET 1					



THIS DRAWING IS A CONTROLLED DOCUMENT.		DWN J. GERACE	24JAN05	Tyco Electronics Corporation Harrisburg, PA 17105-3608	
DIMENSIONS: mm		CHK S. SHUEY	24JAN05	NAME M. WALMSLEY	
TOLERANCES UNLESS OTHERWISE SPECIFIED:		APPROD M. WALMSLEY	24JAN05	PRODUCT SPEC 108-1471-1	
0 PLC ± -				APPLICATION SPEC 114-6057	
1 PLC ± -				SIZE A1	
2 PLC ± 0.13				CAGE CODE 00779	
3 PLC ± -				DRAWING NO 5787962	
4 PLC ± -				RESTRICTED TO -	
ANGLES ± 1'				SCALE 5:1	
FINISH -				SHEET 2 OF 2	
				REV C	